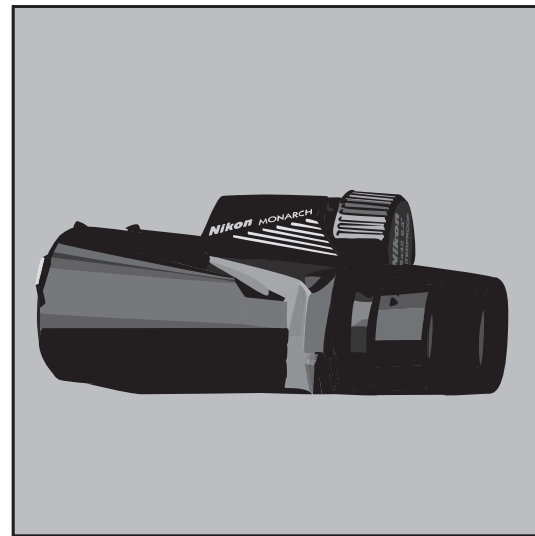
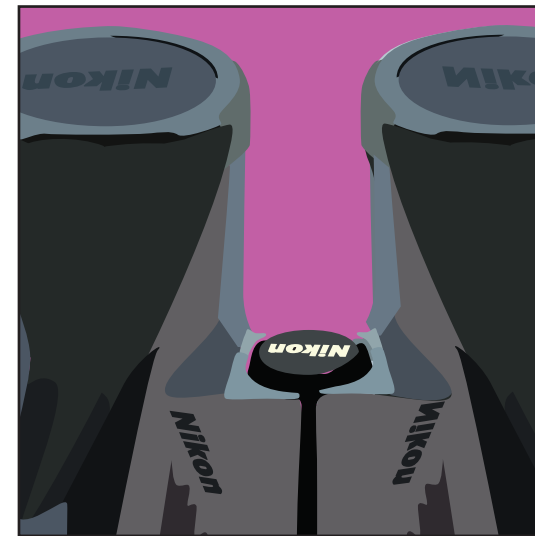


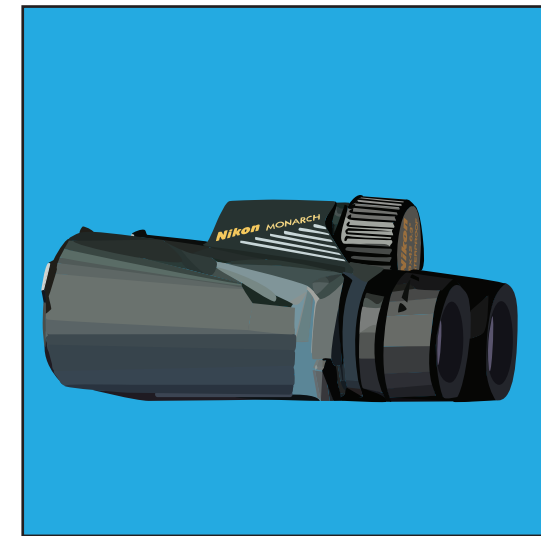
Proportion



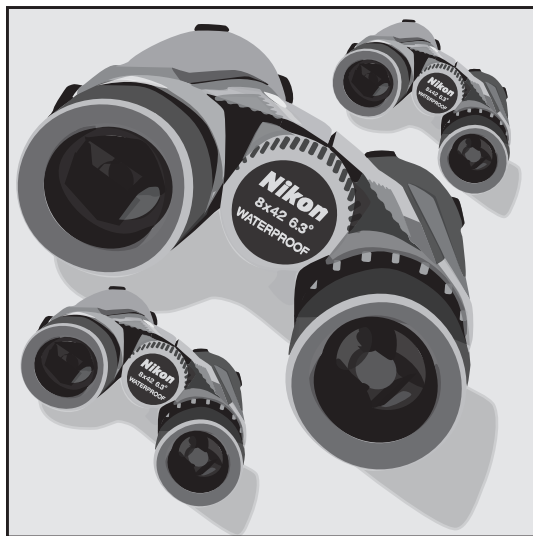
Balance



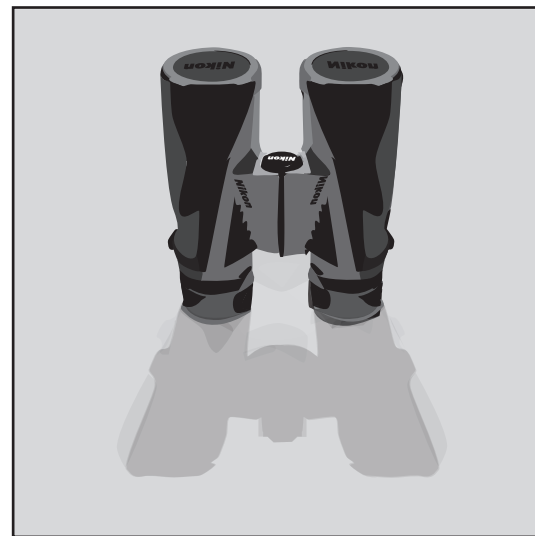
Proportion



Balance



Repetition



Assymetry



Repetition



Assymetry